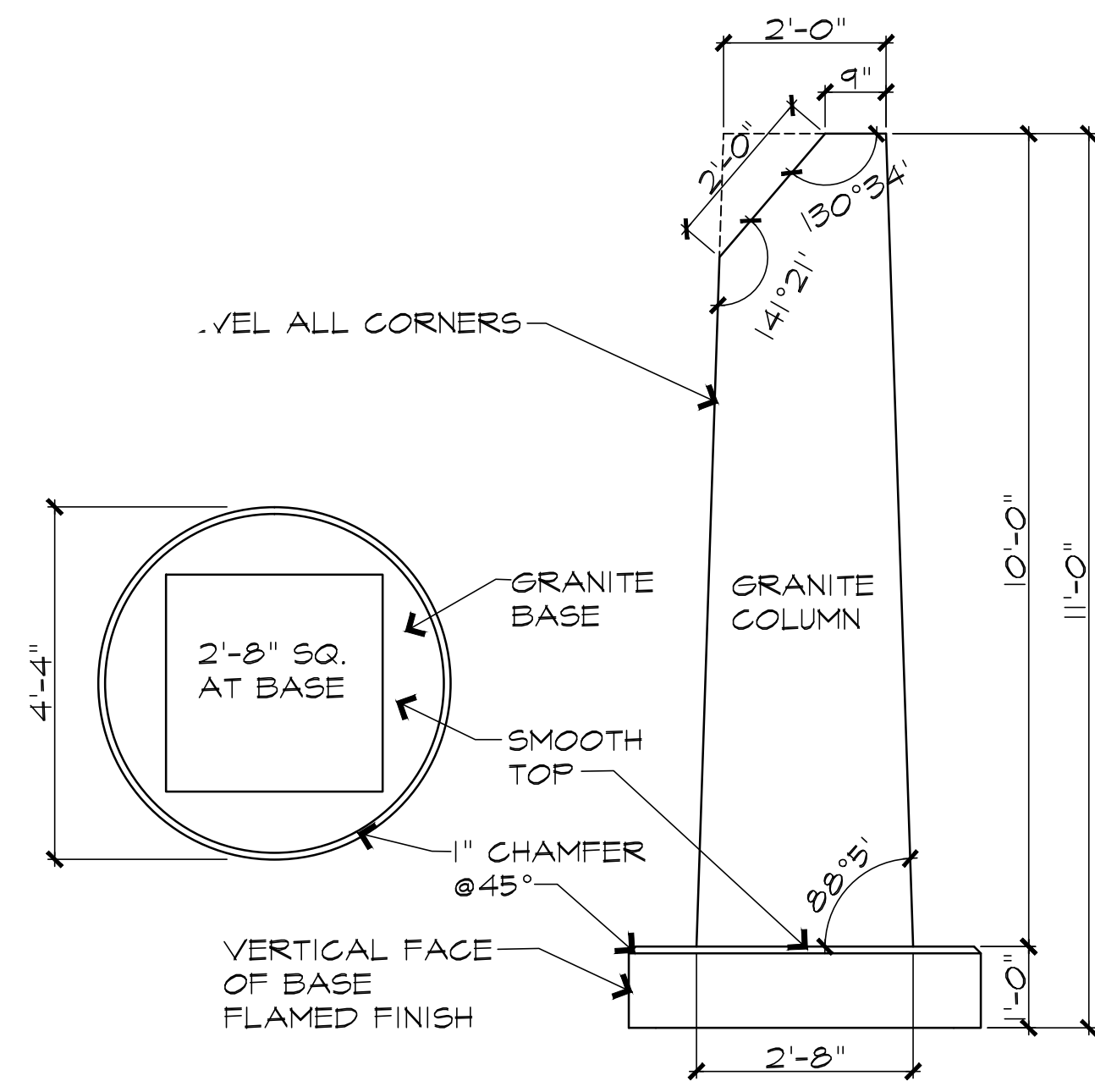


Bob Woods Architect
1473 GRAY BAR DRIVE
COTTONWOOD, ARIZONA, 86326
PHONE : (928) 646 - 5989
FAX : (928) 646 - 5989

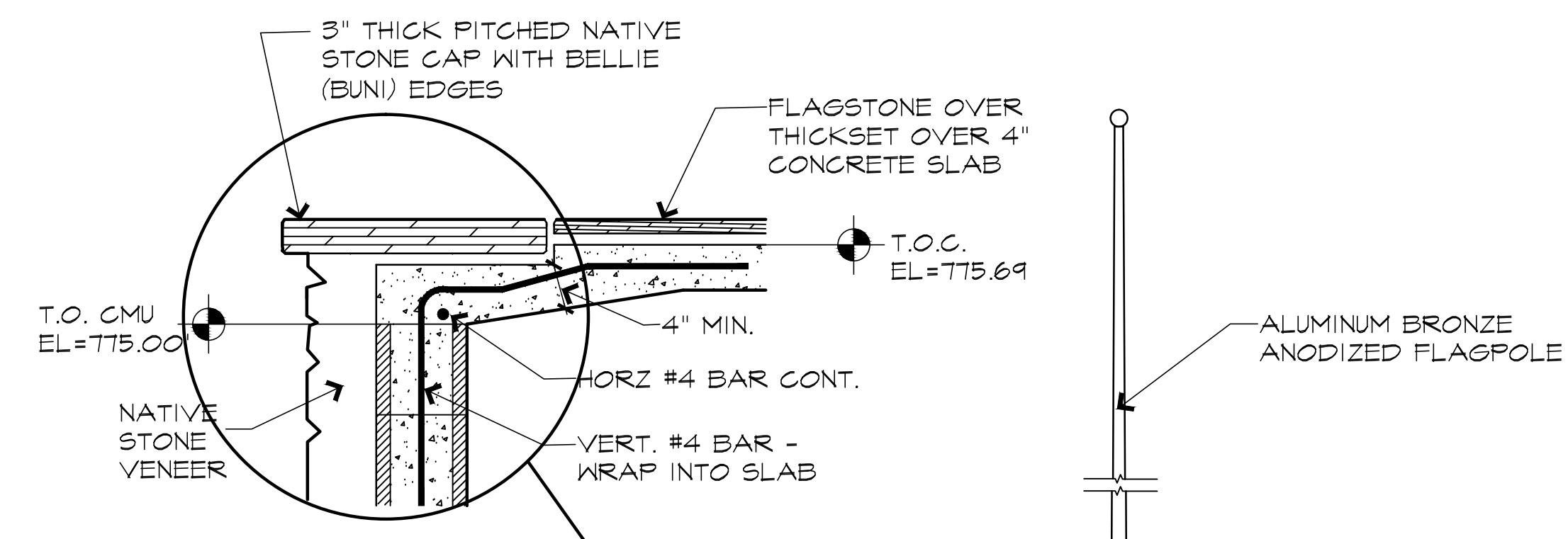
**Ronald Reagan Monument
Del Punta Viewing Site**
Vandenberg Air Force Base, California
For: Riki M. Ellison MDA

**Site Plan
Foundation Plan**
SCALE: 1/8" = 1'-0"
19 MAY 2007

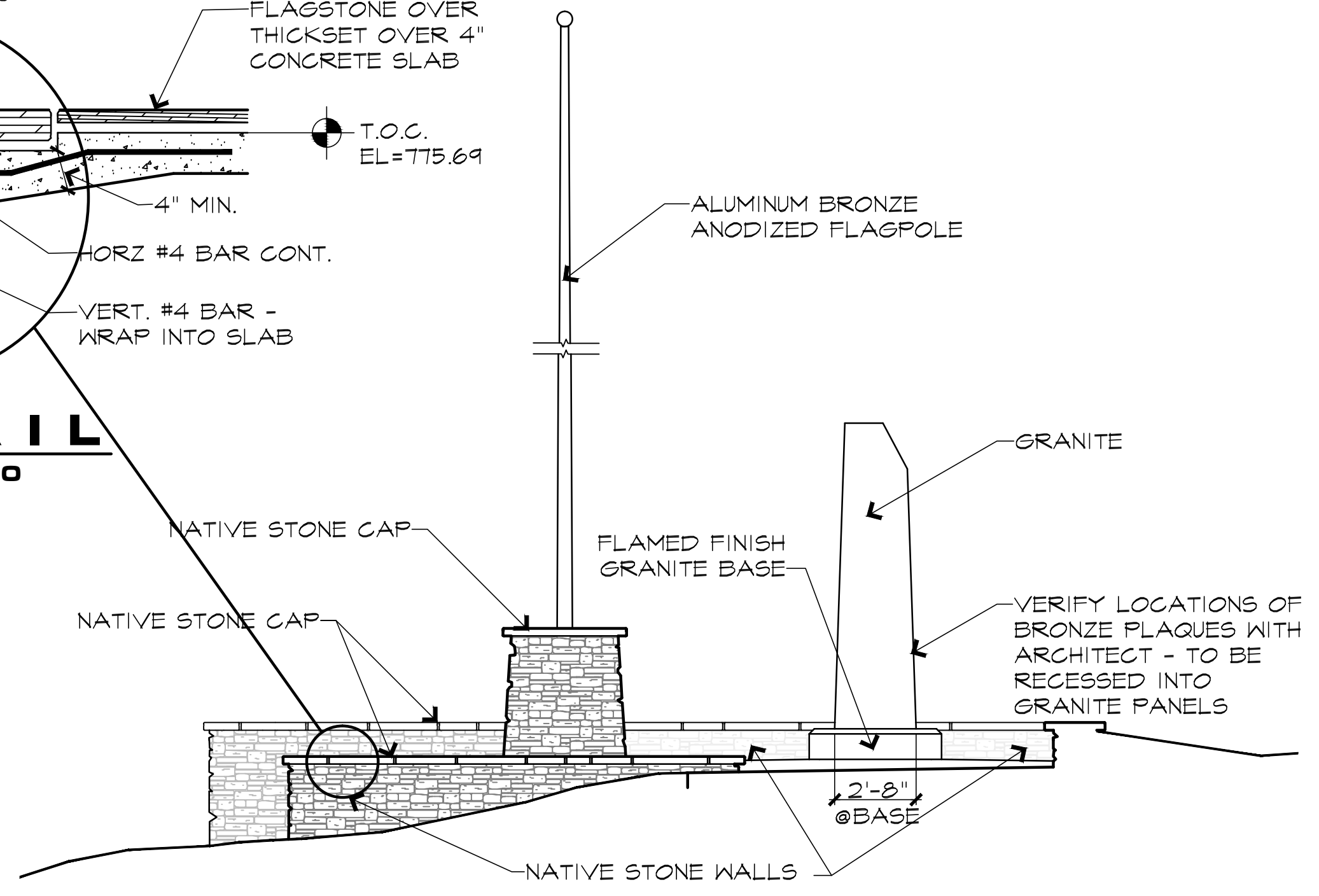
SHEET
1
OF TWO



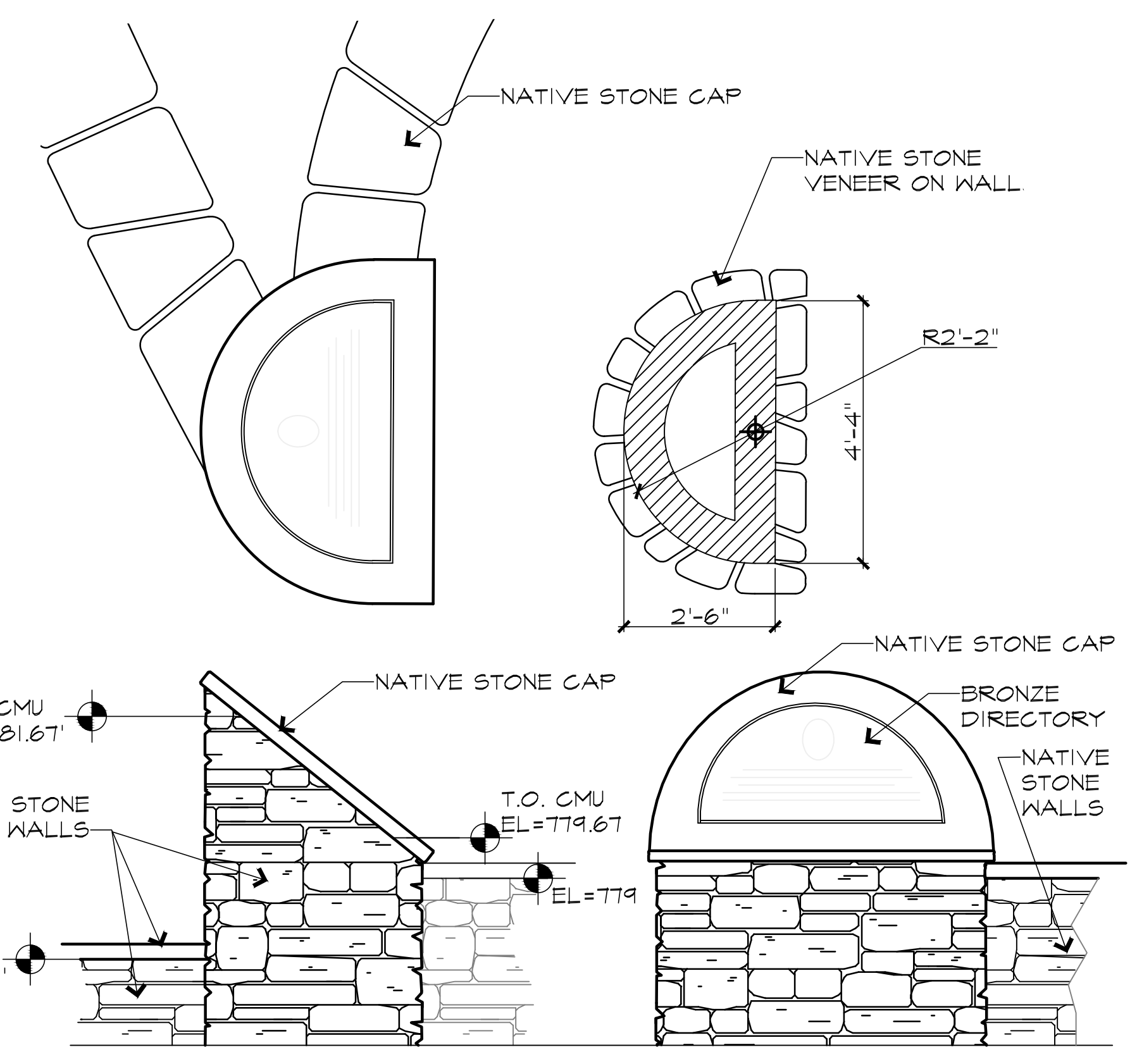
COLUMN DETAIL
SCALE: 1/2" = 1'-0"



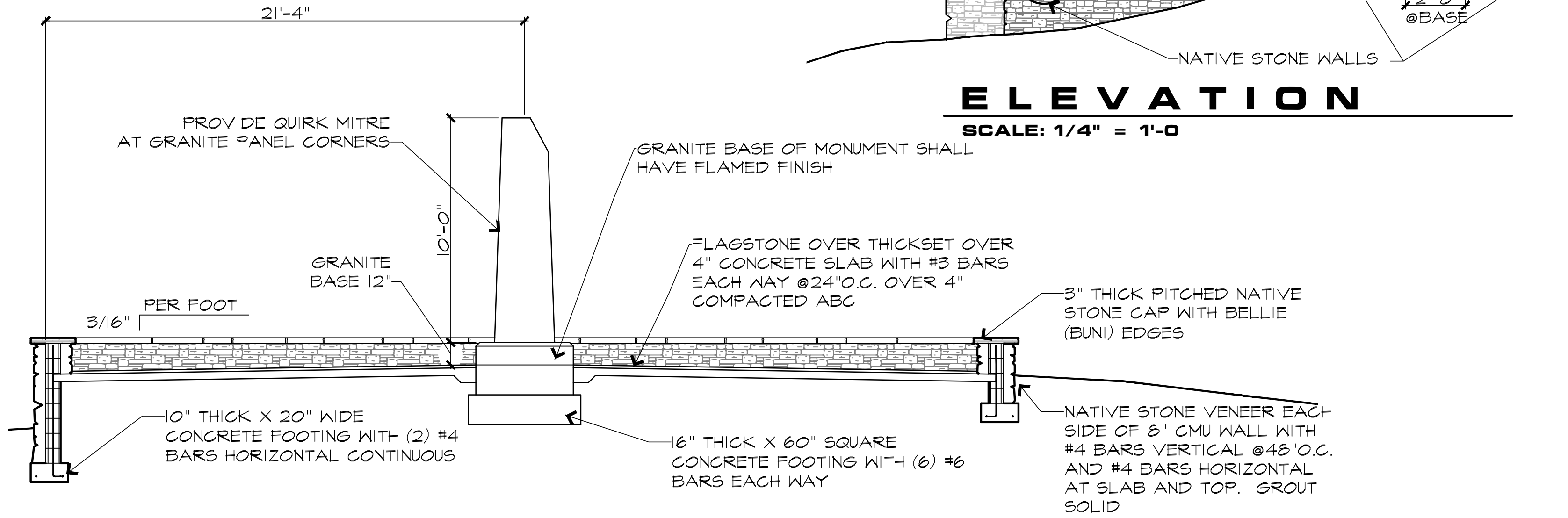
DETAIL
SCALE: 1" = 1'-0"



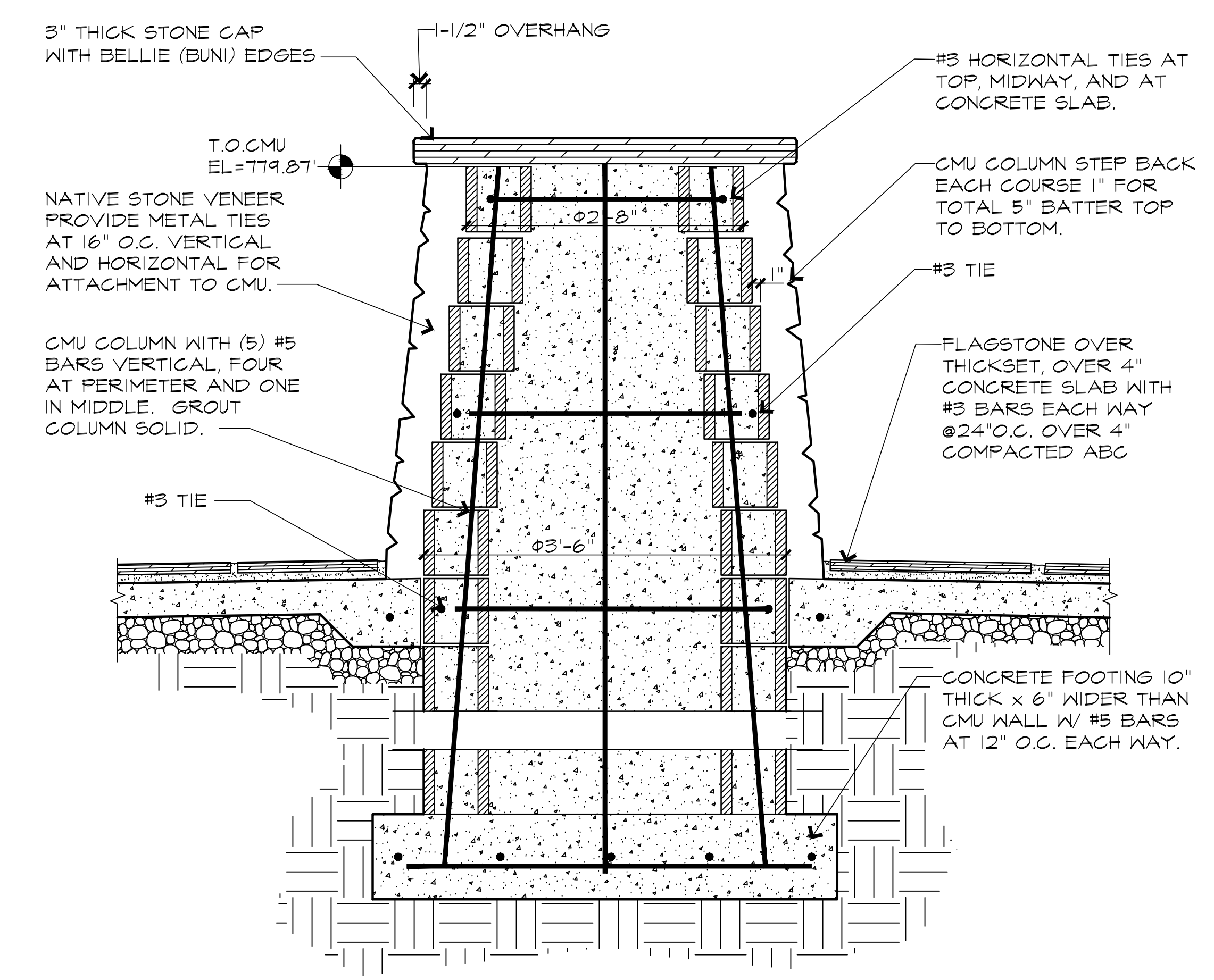
ELEVATION
SCALE: 1/4" = 1'-0"



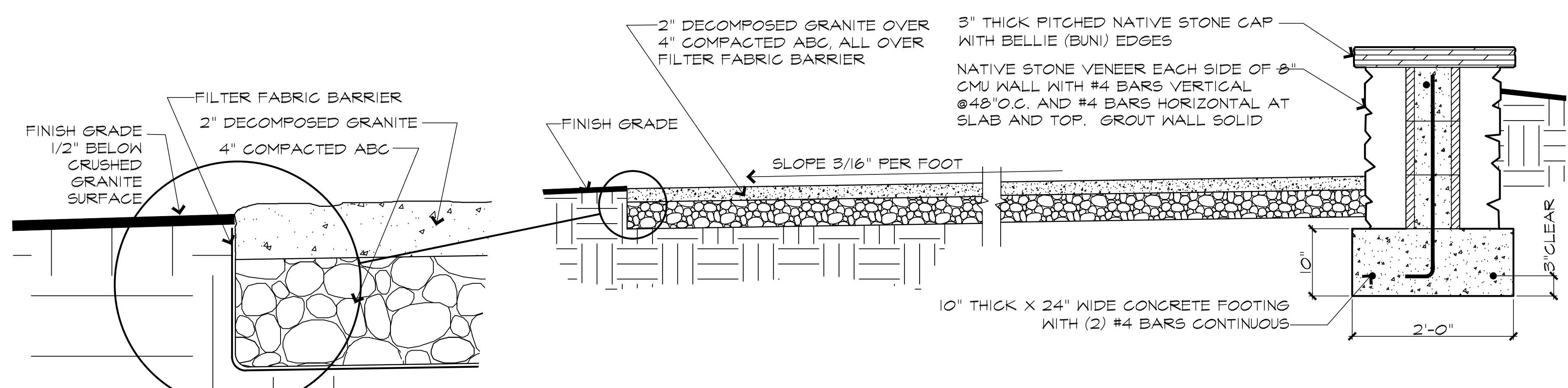
VIEWS AT PLAQUE & BASE
SCALE: 1/2" = 1'-0"



SECTION "B" AT MONUMENT
SCALE: 1/4" = 1'-0"



SECTION AT FLAG POLE
SCALE: 1" = 1'-0"



SECTION "A" AT PATH
SCALE: 1" = 1'-0"

DETAIL
SCALE: 1" = 3"

Bob Woods Architect
1473 GRAY BAR DRIVE
COTTONWOOD, ARIZONA, 86326
PHONE: (928) 646 - 5989
FAX: (928) 646 - 5989

**Ronald Reagan Monument
Del Punta Viewing Site**
Vandenberg Air Force Base, California
For: Riki M. Ellison MDA

**Elevations, Sections &
Details**
SCALE: AS SHOWN
19 MAY 2007